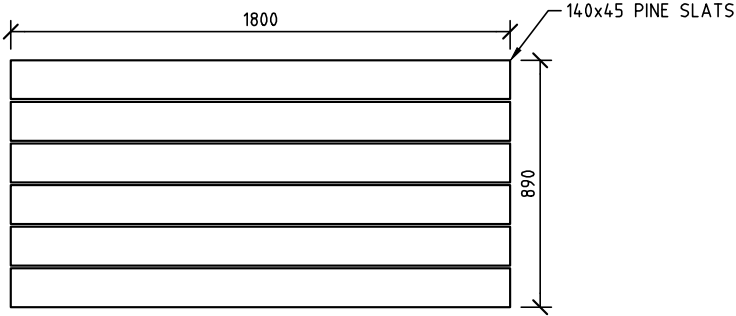
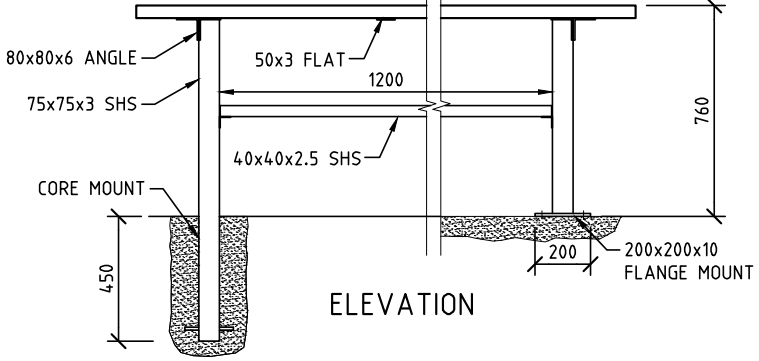
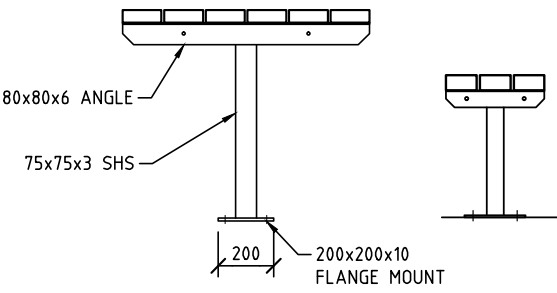




- Made from Premium Grade H3 Pine Timber
- Natural Timber Finish
- Galvanised Steel or Powder Coated Frames
- 1.8m long (Available up to 6m)
- Flange or Core mount Options



PLAN



ELEVATION

Outdoor Solutions • 9 Adams Drive, Pukekohe 2120 • PO Box 451, Pukekohe 2340
 Phone (09) 238 3650 • Fax (09) 238 4576 • Freephone 0800 11 71 71
 Website www.outdoor-solutions.co.nz • Email sales@outdoor-solutions.co.nz